

Burn Wise

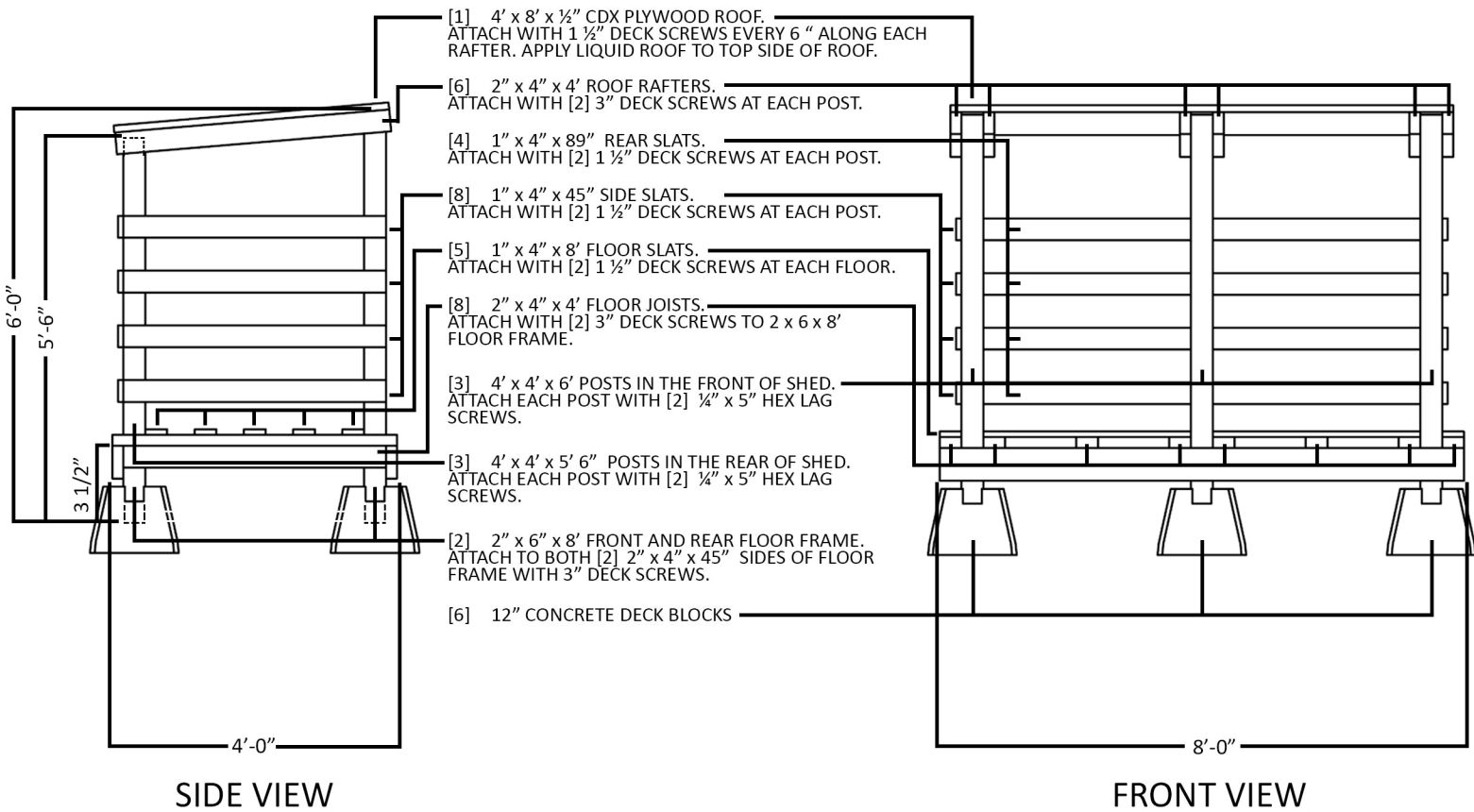
Program of U.S. EPA

Modular Wood Shed

- Holds about one cords of wood
- Light enough to move by hand
- Easy to fabricate with mostly straight cuts and no mitered corners or joints
- Uses outdoor treated woods for the structure and liquid roofing primer for the roof
- Connectors and fasteners are galvanized
- Roof and sides are finished to owner specifications (e.g. composition, metal, wood shakes, etc.)
- Footings provided by owner (concrete post bases or pavers)

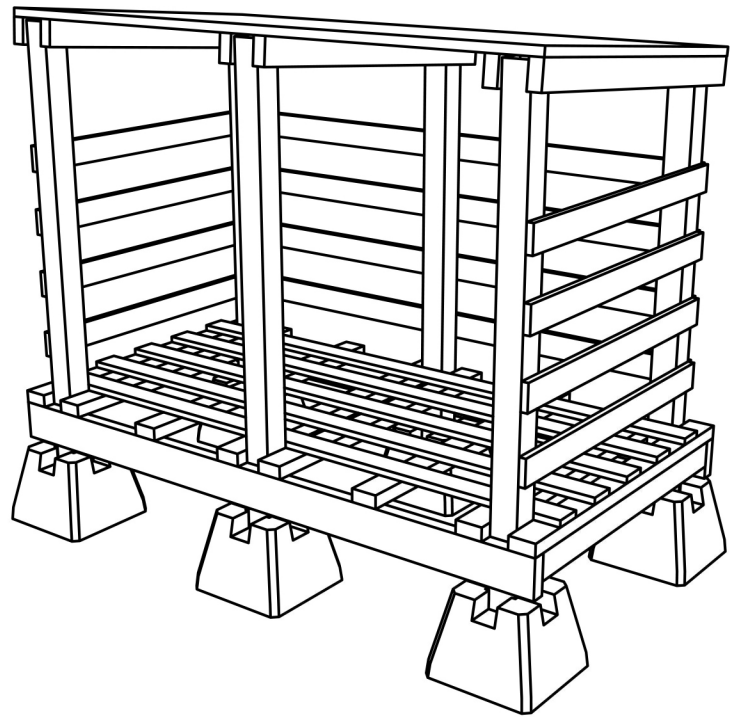
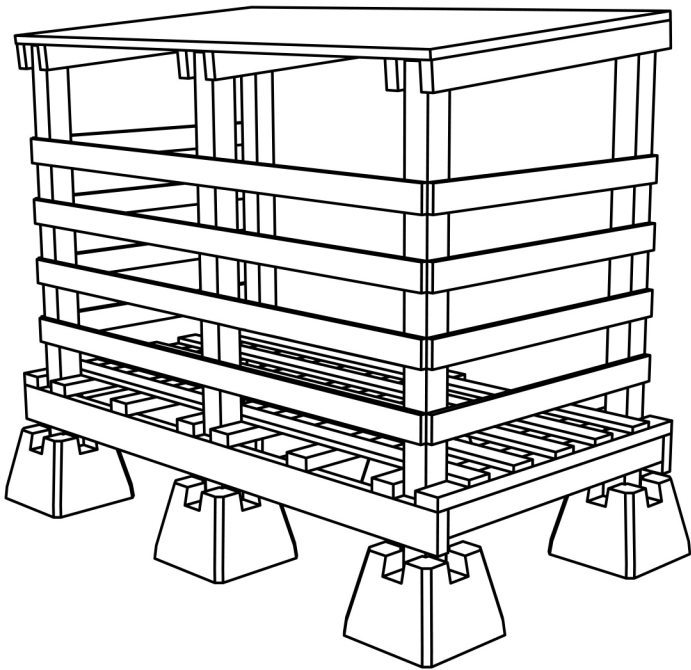


www.epa.gov/burnwise/burnwise-wood-shed-design



WOODSHED MATERIALS LIST

| ITEM | QUANTITY | DESCRIPTION | UNIT COST | SUBTOTAL |
|-----------------------------|-----------|---|-----------|----------|
| 2"x 6"x 8' treated pine | 2 | Floor Frame | \$5.27 | \$10.54 |
| 1"x 4"x 8' treated pine | 13 | Floor Slats, Side and Back Slats | \$4.97 | \$64.61 |
| 2"x 4"x 8' treated pine | 8 | Floor Frame, Joists, Roof Rafters | \$3.37 | \$26.96 |
| 4'x 4'x 12' treated pine | 3 | Posts | \$13.17 | \$39.51 |
| 4'x 8'x ½" CDX plywood | 1 | Roof | \$15.77 | \$15.77 |
| 1/4" x 5" Hex Lag Screws | 12 | Secure posts to 2"x 6" and 2"x4" Floor Frame | \$0.54 | \$6.48 |
| 3" Galvanized Deck Screws | 1 lb. Box | Secure Floor Frame, Joists and Roof Rafters | \$9.89 | \$9.89 |
| 1 ½" Galvanized Deck Screws | 1 lb. Box | Secure Floor Slats, Side and Back Slats, Roof | \$9.89 | \$9.89 |
| Liquid Roofing | 1 – 5 Gal | Weather protection | \$47.00 | \$47.00 |
| 12" Deck Blocks | 6 | Raise Woodshed off ground | \$6.55 | \$39.30 |
| | | | TOTAL | \$269.95 |



Based on and modified from the Makah Tribe's Modular Wood Shed design